

Application

Beam style	variable-spread, tight-edged beam
Suitable for	theatres, TV studios, architectural and commercial applications
Specification level	professional range
Beam angle	10°- 66°
Typical throw distance	2 – 10m

Electrical specifications

Light source	98W LED, white
Supply Volts	100/260V AC single phase
Frequency / Current	50/60Hz – 0.3A
Power consumption	100W at full power
Cable/connection	Neutrik powercon IN and OUT
Standards Compliance	EN60598-2-17, CE marked

Mechanical specifications

Lamp House Construction	extruded aluminium and sheet steel
Mounting & suspension	steel stirrup 12mm centre hole + DIN mounting.
Handle	rear
Weight/Packed weight	6,1 kg / 7,3 kg
Colour frame + safety guard	metal, 150 x 150mm, supplied

Operational specifications

Focus adjustment	screw focus with control at rear
Beam Shaping	using barndoor accessory
DMX channels / connection	1 to 4 / XLR5 connectors, IN/OUT
Dimmer module	PWM (Pulse Width Modulation)
Dimming	manual, from rear panel or remote, through control desk via DMX signal
LED temperature	built-in sensor for real time monitoring
Ambient temperature	35°C max.
Fan speed control	automatically set and controlled
Fade curves	4 curves (linear, square, LED-HAL, User 1)
LED Frequency	LED frequency control for TV cameras ranging from 3KHz to 460Hz. Manually selectable from rear panel or remotely controlled through DMX

Optical specifications

Optical system	120mm diameter pebble-convex lens
LED array	89W, white, round-shaped, replaceable
Rated LED life	25,000 hours at 25°C
Beam colour temperature	3200K or 5600K
CRI (Colour Rendering Index)	>90

Accessories

Spare metal colour frame	■ 20100103	□ 20100103B	▣ 20100103C
Safety guard	■ 20100203	□ 20100203B	▣ 20100203C
4-leaf barndoor	■ 20100301	□ 20100301B	▣ 20100301C
Hook clamp	20100900	Safety bond	20101300

Photometric data

Spot	3200K									
Beam dia.	0.3	0.5	0.7	0.9	1.0	1.2	1.4	1.6	1.7	m
lux	14300	6356	3575	2288	1589	1167	894	706	572	
Distance	2	3	4	5	6	7	8	9	10	m

Flood											
Beam dia.	2.6	3.9	5.2	6.5	7.8	9.1					m
lux	2475	1100	619	396	275	202					
Distance	2	3	4	5	6	7	8	9	10	m	

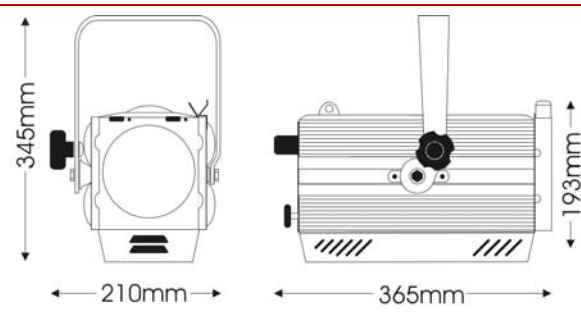
Spot	5600K										
Beam dia.	0.3	0.5	0.7	0.9	1.0	1.2	1.4	1.6	1.7	m	
Lux	19750	8778	4938	3160	2194	1612	1234				
Distance	2	3	4	5	6	7	8	9	10	m	

Flood											
Beam dia.	2.6	3.9	5.2	6.5	7.8	9.1					m
lux	2750	1222	688	440	306	224					

cetra pc100

100W, 100/260VAC, DMX512
led pebble-convex luminaire

part # ■ 01102000 □ 01102001 ▣ 01102002 3200K
part # ■ 01102100 □ 01102101 ▣ 01102102 5600K



Stylish, compact and extremely high efficiency 100W led pebble-convex luminaire featuring a PWM dimming power source.

Cetra is ideal in all those applications where heat and energy saving are a concern. Its attractive design makes it the obvious choice in shop displays, art displays and architectural applications where a theatrical-type luminaire is needed.

Cetra is available in 3200K and 5600K white light. A full range of accessories complements the range.



Distribuito da :
Amlux srl
Via Belgio 11/13
46042 Castel Goffredo (MN), Italy
info@amlux.it www.amlux.it
issue: ap ©2017. LDR reserves the right to alter the specification without prior notice.