

**MaxiLED**  
Lighting



**MaxiGOBO 200**

Distributed by AMLUX srl, 46042, Castel Goffredo (MN), [info@amlux.it](mailto:info@amlux.it), [www.amlux.it](http://www.amlux.it)

# MaxiGOBO 200



## Compact Power, Full Creativity

Don't let its size fool you.

The **MaxiGOBO 200** delivers vibrant, high-precision gobo projection in a lightweight, rugged package.

Perfectly suited for both indoor and outdoor use, its IP65-rated housing and high-strength aluminum construction ensure durability and stability in any setting.

With five interchangeable beam angles, and a six-pattern rotating gobo wheel, this **200W** LED projector offers exceptional versatility for scenic projection, signage, and branding.

Designed for fast installation with a swivel bracket and intuitive operation, it's the ideal choice for projects where space is limited but impact is essential.



# MaxiGOBO 200

## Specifications

Working Voltage : **AC110-240V**

Power : **200W**

Electrical Shock Protection : **Class I**

Control Protocol: **DMX512, Auto**

Light Source: **LED**

Color Temperature : **7500K**

Beam Angle : **10° /20° /30° /45° /60°.**

Effect: **6 rotating full-colour gobos**

Housing : **Aluminium**

Installation : **Bracket**

Weight : **5 kg**

IP Rated : **IP65**

Life: **> 40000 hrs**

Efficiency: **≥ 30lm/w**

Channels: **10**

Certification: **CE,ROHS**

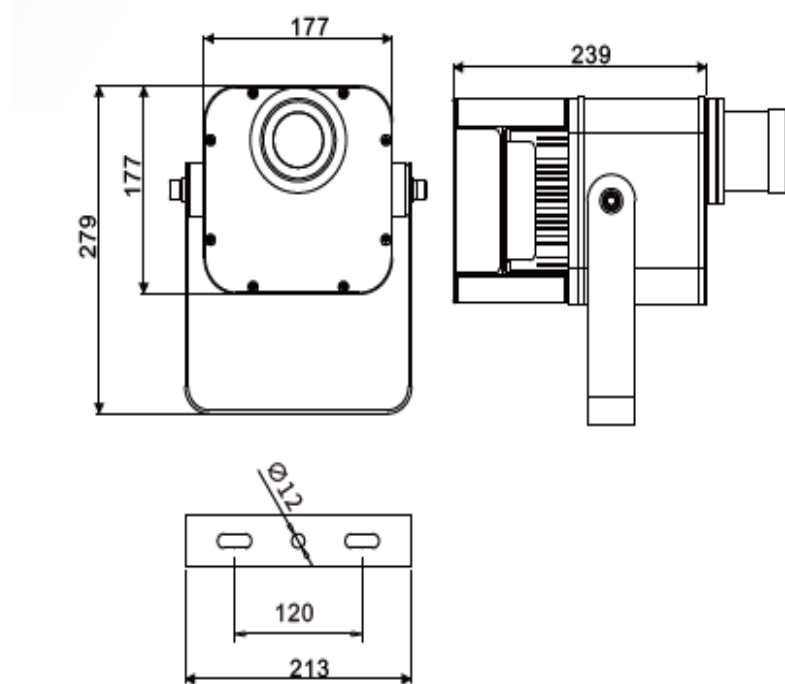
## Features



## Finishes



## Dimensions (mm)

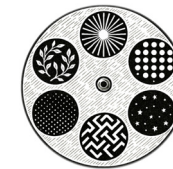


## Gobos size (mm)

OD: 25.8

ID : 20

Thickness : 2.2



**MaxiLED**  
Lighting

# MaxiGOBO

## Channels (DMX 512 Configuration)

Channel	Function	Value	Description
Ch 1	Dimming	0 - 255	0 - 100 % dimming
Ch 2	Gobo rotation	0 - 19	Gobo 1
		20 - 39	Gobo 2
		40 - 59	Gobo 3
		60 - 79	Gobo 4
		80 - 99	Gobo 5
		100 - 119	Gobo 6
		120 - 192	Dwell time from fast to slow positive flow
		193 - 255	Dwell time from slow to fast reverse flow
Ch 3	Gobo Auto-rotation	0 - 127	0 - 360°
		128 - 190	From fast to slow positive flow
		191 - 192	Stop
		193 - 255	From slow to fast reverse flow
Ch 4	Reset / Function	128 - 255	Reset all motors in more than 6 seconds

## Certifications



# MaxiGOBO 200



## MaxiGOBO Projector

Unit 2, Farrington Place, Rossendale Road Ind. Est. Burnley, Lancashire. UK. BB11 5TY  
T: +39 347 5911784 E: [sales@maxigoboprojector.com](mailto:sales@maxigoboprojector.com) Web: [www.maxigoboprojector.com](http://www.maxigoboprojector.com)

Distributed by AMLUX srl, 46042, Castel Goffredo (MN), [info@amlux.it](mailto:info@amlux.it), [www.amlux.it](http://www.amlux.it)