



Your benefits

- Lightweight and compact reflector lamps with ECG
- Perfectly suited for small and lightweight moving heads
- Optimized burner design allows any burning position
- High luminance through very short arc and high pressure
- Bright light for brilliant light effects
- Long lifetime
- Easy lamp replacement
- Stable light output over the entire lifetime



Light is spectacular

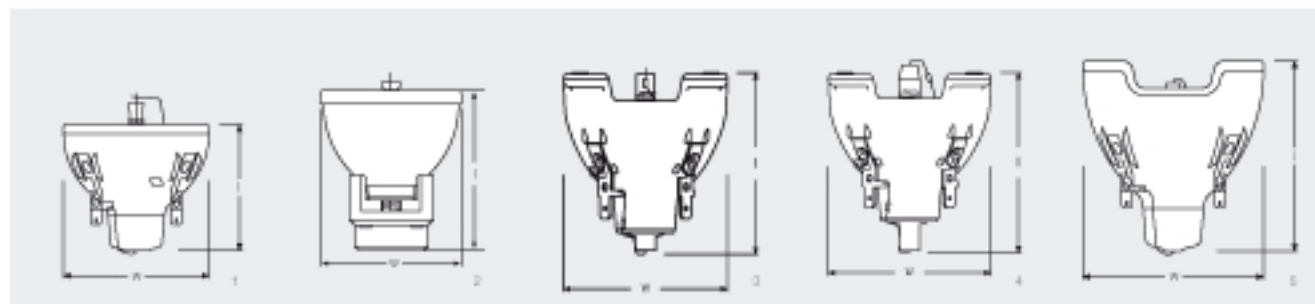
SIRIUS HRI® series

Compact reflector lamps with high light output for spectacular light effects – developed for small moving heads

Light is OSRAM

Today more than ever, outstanding stage shows come to life through breathtaking light effects. Therefore, the applied light sources have to provide an especially high brightness. With the high-performance SIRIUS HRI® series, OSRAM has developed reflector lamps which play to their strength especially in small and lightweight moving heads. They are characterized by high luminance, reduced weight and very compact dimensions. The optimized burner design allows any burn-in position, moreover, they show a

very stable light output, as the high luminance decreases only slightly over the entire lifetime (between 1500 and 6000 h). The special reflector design allows for an easy and fast lamp replacement, as the burner is already perfectly adjusted within the reflector. SIRIUS HRI® is supplied as a complete system including ECG. Combining reliability, efficiency and luminance, the lamps can be used flexibly in various applications of entertainment lighting.



SIRIUS HRI®

Product	EAN10	Power (W)	Arc (mm)	Flux (lm)	Color temp. (K)	CRI	Average Lifetime (h)	Burning position	Length l (mm)	Width w (mm)	Standard Sales Pack/Pcs.	Fig. no.
SIRIUS HRI® 132W	4052899028708	132	1.0	5150	9200	60	6000	any	44	46	1	1
SIRIUS HRI® 190W +	4008321866592	190	0.8	8100	8200	73	3000	any	54.5	51	1	2
SIRIUS HRI® 230W	4008321810311	230	1.0	9500	8000	75	2500	any	54.5	51	1	2
SIRIUS HRI® 280W	4008321810342	280	0.9	11500	7800	78	2000	any	54.5	51	1	2
SIRIUS HRI® 280W RO	4052899110397	280	0.9	11500	7800	78	2000	any	54.5	51	1	2
SIRIUS HRI® 330W	4008321810373	330	1.0	15000	7400	86	1500	any	63	56	1	3
SIRIUS HRI® 330W XL	4052899195431	330	1.3	12000	7250	71	1500	any	63	56	1	4
SIRIUS HRI® 330W XB	4052899140295	330	1.2	12800	8000	85	1500	any	66	58	1	5





SIRIUS HRI lamps are specified in many moving heads to include:

Fixture Manufacturer	Fixture Model	OSRAM Lamp
CHAUVET® Lighting	Rogue™ R1 Beam	SIRIUS HRI 132W
CHAUVET® Lighting	Rogue™ R2 Beam	SIRIUS HRI 230W
CHAUVET® Lighting	Legend™ 230SR Beam	SIRIUS HRI 230W
CHAUVET® Lighting	Legend™ 330SR Beam	SIRIUS HRI 330W X8
Clay Paky	Sharpy	SIRIUS HRI 190W+
Coemar	Infinity ACL XS	SIRIUS HRI 330W
D.T.S.	RAPTOR	SIRIUS HRI 330W
PR Lighting	XR 230 SPOT	SIRIUS HRI 230W
PR Lighting	XR 330 SPOT	SIRIUS HRI 330W
Robe	ROBIN® Pointe®	SIRIUS HRI 280W RO